

# PORTABLE DAVIT SYSTEM

Complete  
Resource Guide



**3-Piece Portable Base- 60" max width**

Designed for manholes & other confined spaces where a portable base is needed.

**Specs**

Weight Capacity- 130-310 lbs ANSI

Capacity- 1 entrant only, 310 lb. max

Item weight- 162.75 lbs.

Hardware Material- Powder coated aluminum, plated alloy steel

Lifeline- Galvanized steel wire rope

Standards- OSHA 1926.502  
ANSI 1910.66

**Components**

PD1- Davit Mast Assembly

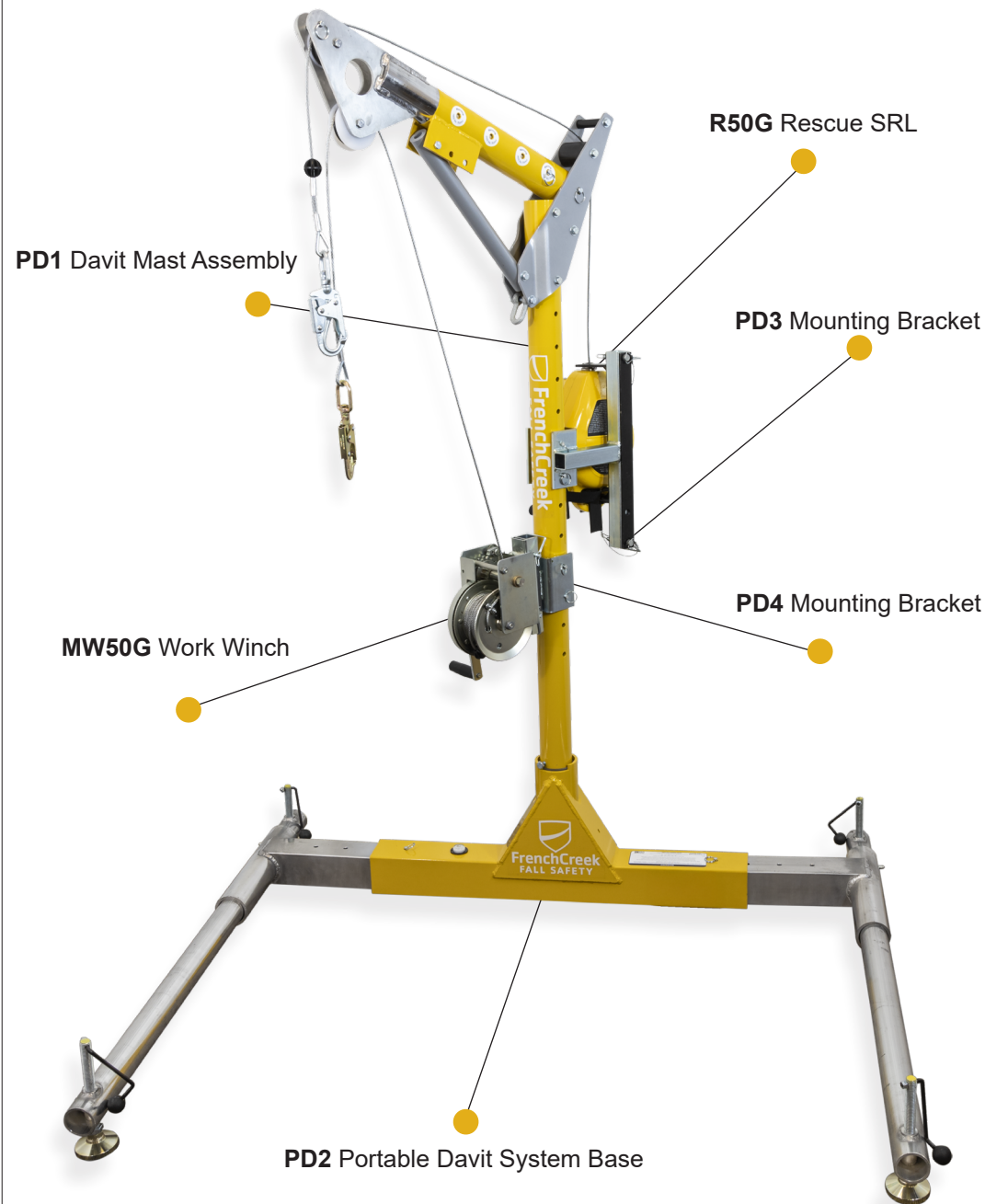
PD2- Portable Davit Base

PD3- R50G Mounting Bracket

PD4- MW50G Mounting Bracket

R50G- Rescue SRL

MW50G- Work Winch



**Ordering Information**

**PD1 Davit Mast Assembly**  
12"-30" offset reach



**PD1**  
Davit mast assembly with telescoping adjustability from 12"-30". Includes attachment points for mechanical units. Used in conjunction with FrenchCreek Portable Davit system bases. Item weight 32.75 lbs.

**PD2 Portable Davit System Base**  
"36-60" adjustable base width



**PD2**  
3-piece portable davit system base adjusts from 36"-60". For temporary application. Includes bullseye level, tool free height adjustment. Base material: powder-coated aluminum & stainless steel. Item weight 58 lbs.

**PD3 Mounting Bracket**  
Attaches R50G Rescue SRL



**PD3**  
Used to attach R50G Rescue SRL to PD1 Davit Mast Assembly. Attaches with locking pins. Material: plated alloy steel. Item weight: 7.2 lbs.

**PD4 Mounting Bracket**  
Attaches MW50G Work Winch



**PD4**  
Used to attach MW50G Work Winch to PD1 Davit Mast Assembly. Attaches with locking pins. Material: plated alloy steel. Item weight: 4.8 lbs.

**R50G Rescue SRL**  
ANSI Class SRL-R  
3-way unit, 50' length



**R50G**  
50' rescue SRL with raising/lowering capability. Mounts to PD1 Davit Mast Assembly using PD3 Mounting Bracket. Includes dual inertia braking system, pulleys & carabiner, load indicating snaphook. Three lifeline options: galvanized steel, stainless steel, technora rope. Aluminum cast housing. Item weight: 35 lbs.

**MW50G Work Winch**  
50' length



**MW50G**  
Offers raising and lowering capabilities with a friction brake that prevents the unit from free-wheeling when under a load. Mounts to PD1 Davit Mast Assembly using PD4 Mounting Bracket. Includes pulleys, carabiner and swivel snaphook. Three lifeline options: galvanized steel, stainless steel, technora rope. Aluminum cast housing. Item weight: 25 lbs.

**Core Mount Sleeve Base- 9" deep sleeve**

Ideally suited for recurrent access locations where mast can be easily moved.

**Specs**

Weight Capacity- 130-310 lbs. ANSI

Capacity- 1 entrant only, 310 lb. max

Item weight- 114 lbs.

Hardware Material- Powder coated aluminum, plated alloy steel

Lifeline- Galvanized steel wire rope

Standards- OSHA 1926.502  
ANSI 1910.66

**Components**

PD1- Davit Mast Assembly

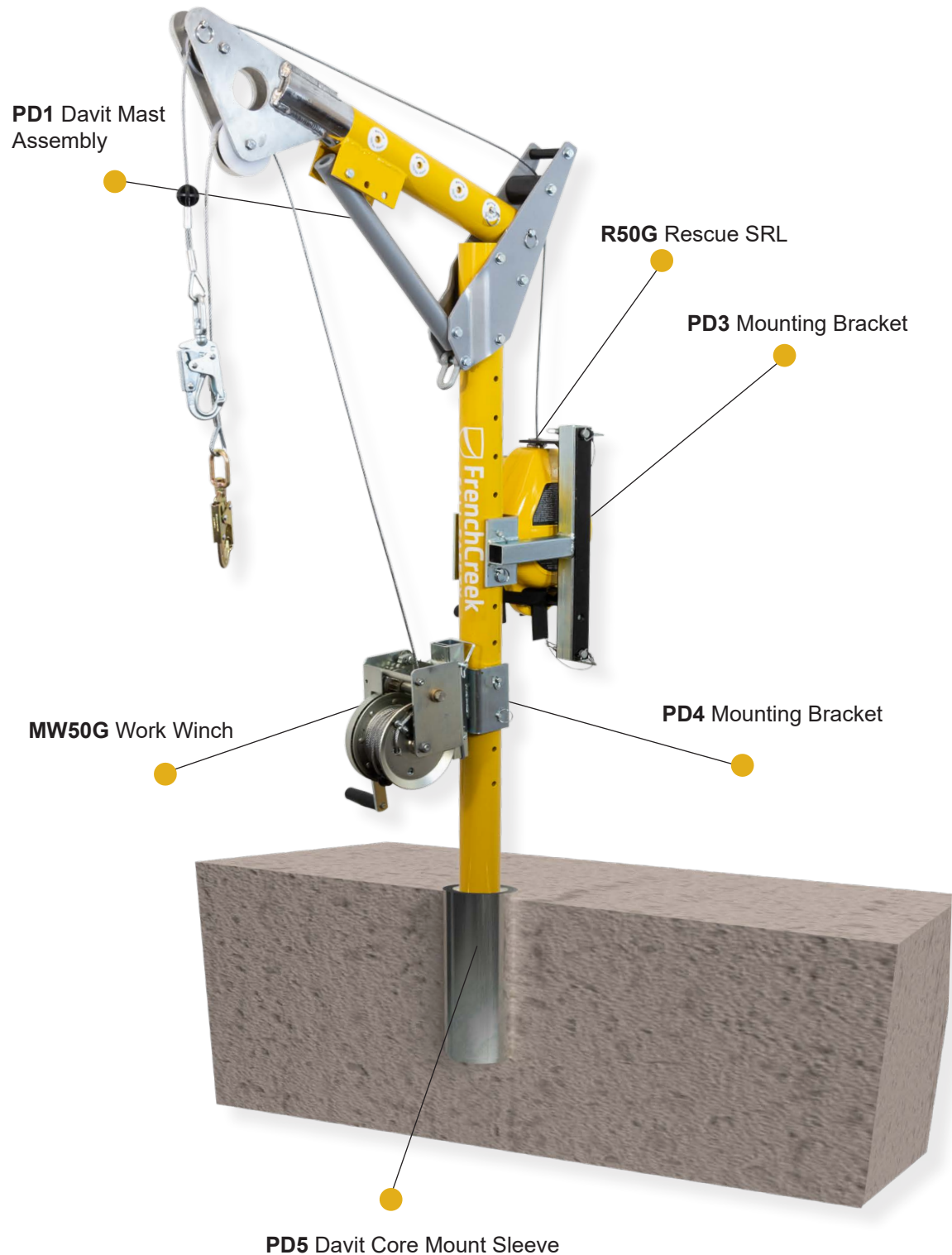
PD5- Davit Core Mount Sleeve

PD3- R50G Mounting Bracket

PD4- MW50G Mounting Bracket

R50G- Rescue SRL

MW50G- Work Winch



**Ordering Information**

**PD1 Davit Mast Assembly**  
12"-30" offset reach



**PD1**  
Davit mast assembly with telescoping adjustability from 12"-30". Includes attachment points for mechanical units. Used in conjunction with FrenchCreek Portable Davit system bases. Item weight 32.75 lbs.

**PD5 Core Mount Sleeve Base**  
Fits 4" (0.10m) diameter core hole



**PD5**  
Designed for slip-in installation sleeve fits 4" diameter core hole. Sleeve 9" deep with PVC insert. Allows for 360° rotation of PD1 Davit Mast Assembly. Item weight: 9.7 lbs.

**PD3 Mounting Bracket**  
Attaches R50G Rescue SRL



**PD3**  
Used to attach R50G Rescue SRL to PD1 Davit Mast Assembly. Attaches with locking pins. Material: plated alloy steel. Item weight: 7.2 lbs.

**PD4 Mounting Bracket**  
Attaches MW50G Work Winch



**PD4**  
Used to attach MW50G Work Winch to PD1 Davit Mast Assembly. Attaches with locking pins. Material: plated alloy steel. Item weight: 4.8 lbs.

**R50G Rescue SRL**  
ANSI Class SRL-R  
3-way unit, 50' length



**R50G**  
50' rescue SRL with raising/lowering capability. Mounts to PD1 Davit Mast Assembly using PD3 Mounting Bracket. Includes dual inertia braking system, pulleys & carabiner, load indicating snaphook. Three lifeline options: galvanized steel, stainless steel, technora rope. Aluminum cast housing. Item weight: 35 lbs.

**MW50G Work Winch**  
50' length



**MW50G**  
Offers raising and lowering capabilities with a friction brake that prevents the unit from free-wheeling when under a load. Mounts to PD1 Davit Mast Assembly using PD4 Mounting Bracket. Includes pulleys, carabiner and swivel snaphook. Three lifeline options: galvanized steel, stainless steel, technora rope. Aluminum cast housing. Item weight: 25 lbs.

**Floor Mount Cast-In-Place Base- 8"x12" Plate**

Ideally suited for high traffic areas to reduce tripping hazards. Cast-in for new concrete construction.

**Specs**

Weight Capacity- 130-310 lbs. ANSI

Capacity- 1 entrant only, 310 lb. max

Item weight- 127 lbs.

Hardware Material- Powder coated aluminum, plated alloy steel

Lifeline- Galvanized steel wire rope

Standards- OSHA 1926.502  
ANSI 1910.66

**Components**

**PD1-** Davit Mast Assembly

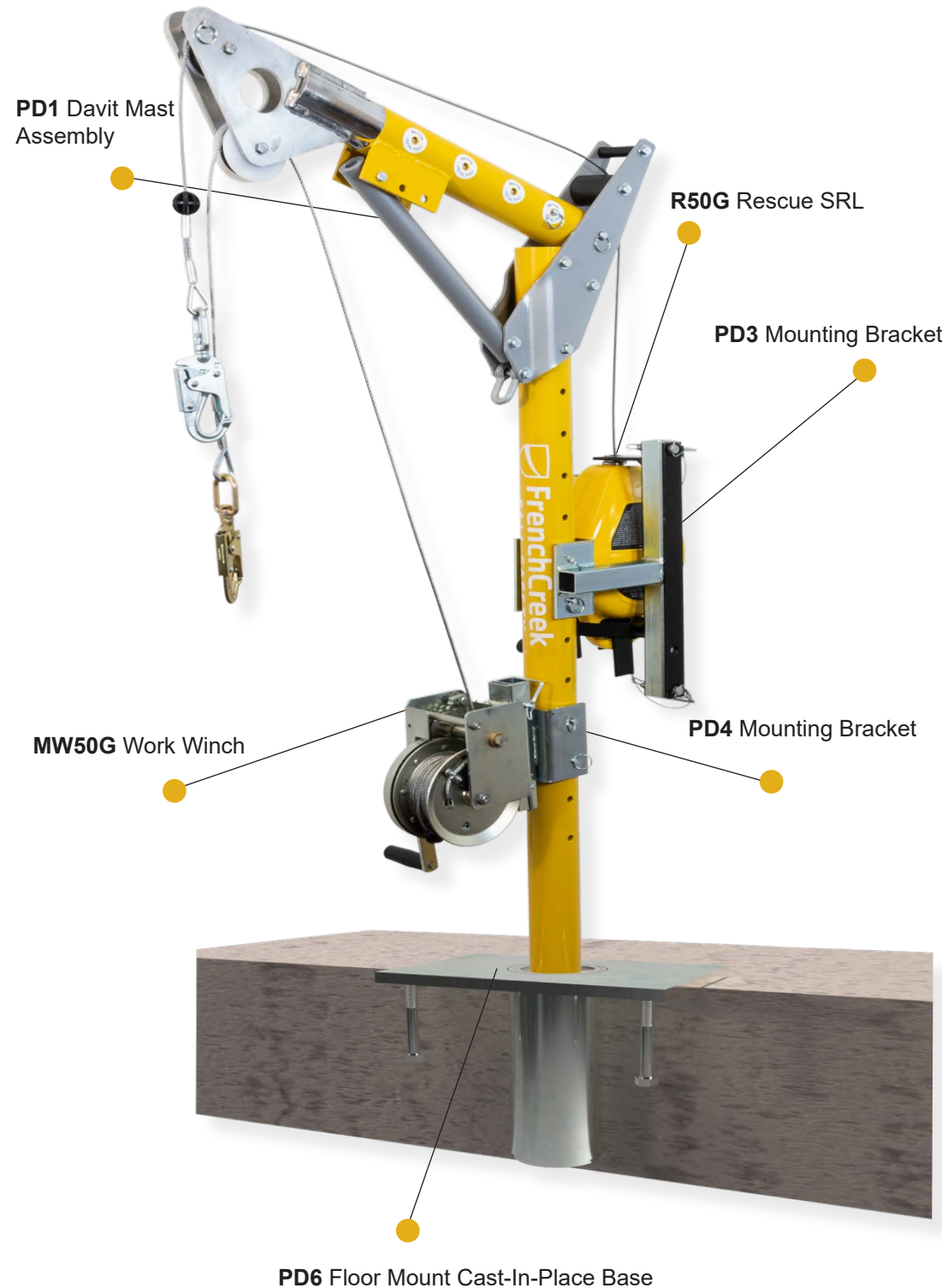
**PD6-** Floor Mount Cast-In-Place Base

**PD3-** R50G Mounting Bracket

**PD4-** MW50G Mounting Bracket

**R50G-** Rescue SRL

**MW50G-** Work Winch



**Ordering Information**

**PD1 Davit Mast Assembly**  
12"-30" offset reach



**PD1**  
Davit mast assembly with telescoping adjustability from 12"-30". Includes attachment points for mechanical units. Used in conjunction with FrenchCreek Portable Davit system bases. Item weight 32.75 lbs.

**PD6 Floor Mount Cast-In-Place Base**  
8"x12" plate with 4" support rods



**PD6**  
Cast-in design for new concrete construction installation. Allows for 360° rotation of PD1 Davit Mast Assembly. 9" deep sleeve with PVC insert. Item weight: 22 lbs.

**PD3 Mounting Bracket**  
Attaches R50G Rescue SRL



**PD3**  
Used to attach R50G Rescue SRL to PD1 Davit Mast Assembly. Attaches with locking pins. Material: plated alloy steel. Item weight: 7.2 lbs.

**PD4 Mounting Bracket**  
Attaches MW50G Work Winch



**PD4**  
Used to attach MW50G Work Winch to PD1 Davit Mast Assembly. Attaches with locking pins. Material: plated alloy steel. Item weight: 4.8 lbs.

**R50G Rescue SRL**  
ANSI Class SRL-R  
3-way unit, 50' length



**R50G**  
50' rescue SRL with raising/lowering capability. Mounts to PD1 Davit Mast Assembly using PD3 Mounting Bracket. Includes dual inertia braking system, pulleys & carabiner, load indicating snaphook. Three lifeline options: galvanized steel, stainless steel, technora rope. Aluminum cast housing. Item weight: 35 lbs.

**MW50G Work Winch**  
50' length



**MW50G**  
Offers raising and lowering capabilities with a friction brake that prevents the unit from free-wheeling when under a load. Mounts to PD1 Davit Mast Assembly using PD4 Mounting Bracket. Includes pulleys, carabiner and swivel snaphook. Three lifeline options: galvanized steel, stainless steel, technora rope. Aluminum cast housing. Item weight: 25 lbs.

**Floor Mount Sleeve Base- 9" Tall Sleeve Insert**

Designed for confined space entry and rescue when recurring access is needed for concrete or structural steel.

**Specs**

Weight Capacity- 130-310 lbs. ANSI

Capacity- 1 entrant only, 310 lb. max

Item weight- 136.75 lbs.

Hardware Material- Powder coated aluminum, plated alloy steel

Lifeline- Galvanized steel wire rope

Standards- OSHA 1926.502  
ANSI 1910.66

**Components**

**PD1-** Davit Mast Assembly

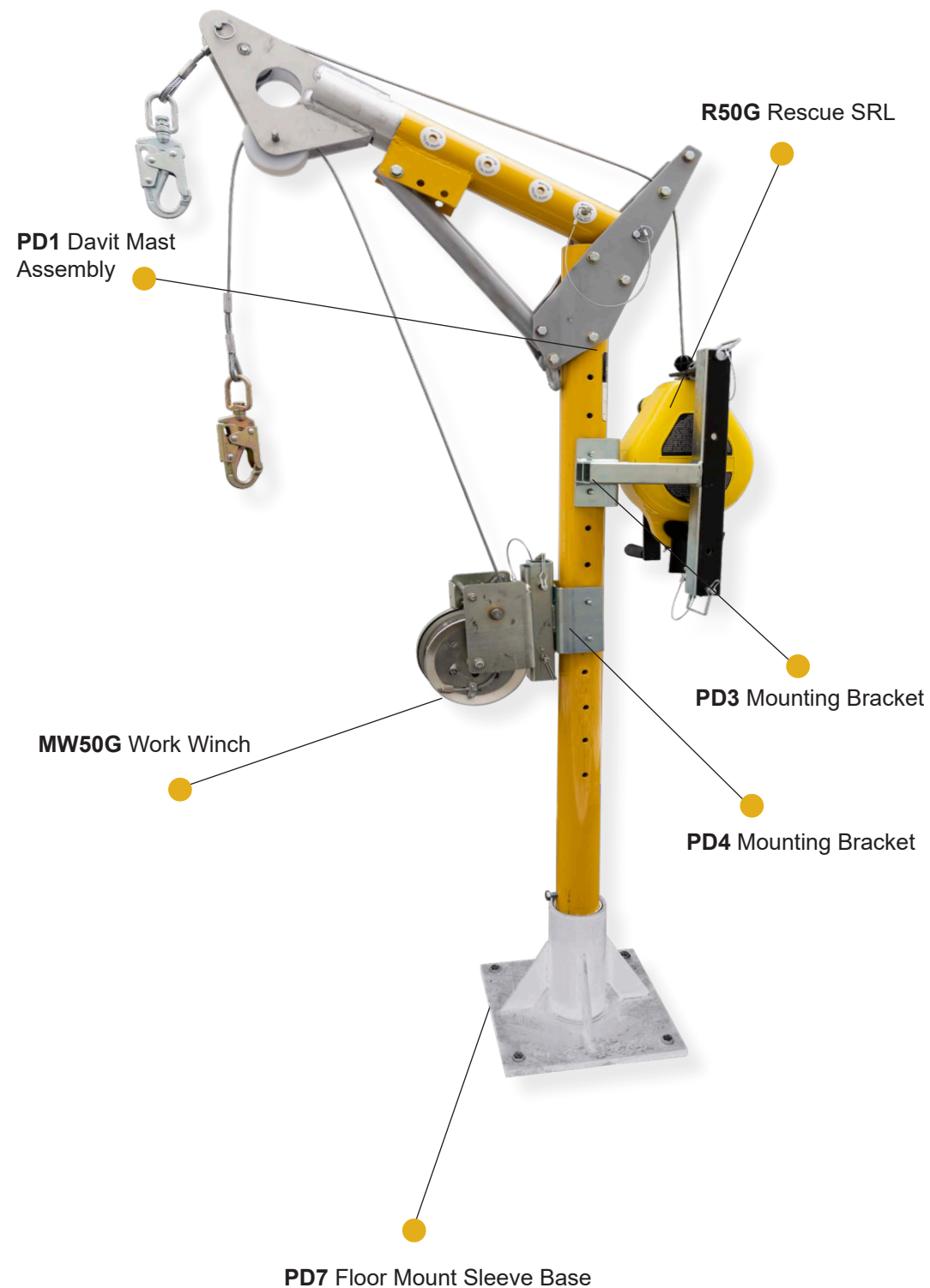
**PD7-** Floor Mount Sleeve Base

**PD3-** R50G Mounting Bracket

**PD4-** MW50G Mounting Bracket

**R50G-** Rescue SRL

**MW50G-** Work Winch



**Ordering Information**

**PD1 Davit Mast Assembly**  
12"-30" offset reach



**PD1**  
Davit mast assembly with telescoping adjustability from 12"-30". Includes attachment points for mechanical units. Used in conjunction with FrenchCreek Portable Davit system bases. Item weight 32.75 lbs.

**PD7 Floor Mount Sleeve Base**  
9" Deep Sleeve Insert



**PD7**  
Bolt on design for existing steel and concrete installation. Allows for 360° rotation of PD1 Davit Mast Assembly. 9" tall sleeve with PVC insert. Item weight: 32 lbs.

**PD3 Mounting Bracket**  
Attaches R50G Rescue SRL



**PD3**  
Used to attach R50G Rescue SRL to PD1 Davit Mast Assembly. Attaches with locking pins. Material: plated alloy steel. Item weight: 7.2 lbs.

**PD4 Mounting Bracket**  
Attaches MW50G Work Winch



**PD4**  
Used to attach MW50G Work Winch to PD1 Davit Mast Assembly. Attaches with locking pins. Material: plated alloy steel. Item weight: 4.8 lbs.

**R50G Rescue SRL**  
ANSI Class SRL-R  
3-way unit, 50' length



**R50G**  
50' rescue SRL with raising/lowering capability. Mounts to PD1 Davit Mast Assembly using PD3 Mounting Bracket. Includes dual inertia braking system, pulleys & carabiner, load indicating snaphook. Three lifeline options: galvanized steel, stainless steel, technora rope. Aluminum cast housing. Item weight: 35 lbs.

**MW50G Work Winch**  
50' length



**MW50G**  
Offers raising and lowering capabilities with a friction brake that prevents the unit from free-wheeling when under a load. Mounts to PD1 Davit Mast Assembly using PD4 Mounting Bracket. Includes pulleys, carabiner and swivel snaphook. Three lifeline options: galvanized steel, stainless steel, technora rope. Aluminum cast housing. Item weight: 25 lbs.

**Wall Mount Sleeve Base- 9" Tall Sleeve Insert**

Designed for confined space entry and rescue for vertical concrete or steel structures. Can be bolted or welded.

**Specs**

Weight Capacity- 130-310 lbs. ANSI

Capacity- 1 entrant only, 310 lb. max

Item weight- 117.75 lbs.

Hardware Material- Powder coated aluminum, plated alloy steel

Lifeline- Galvanized steel wire rope

Standards- OSHA 1926.502  
ANSI 1910.66

**Components**

PD1- Davit Mast Assembly

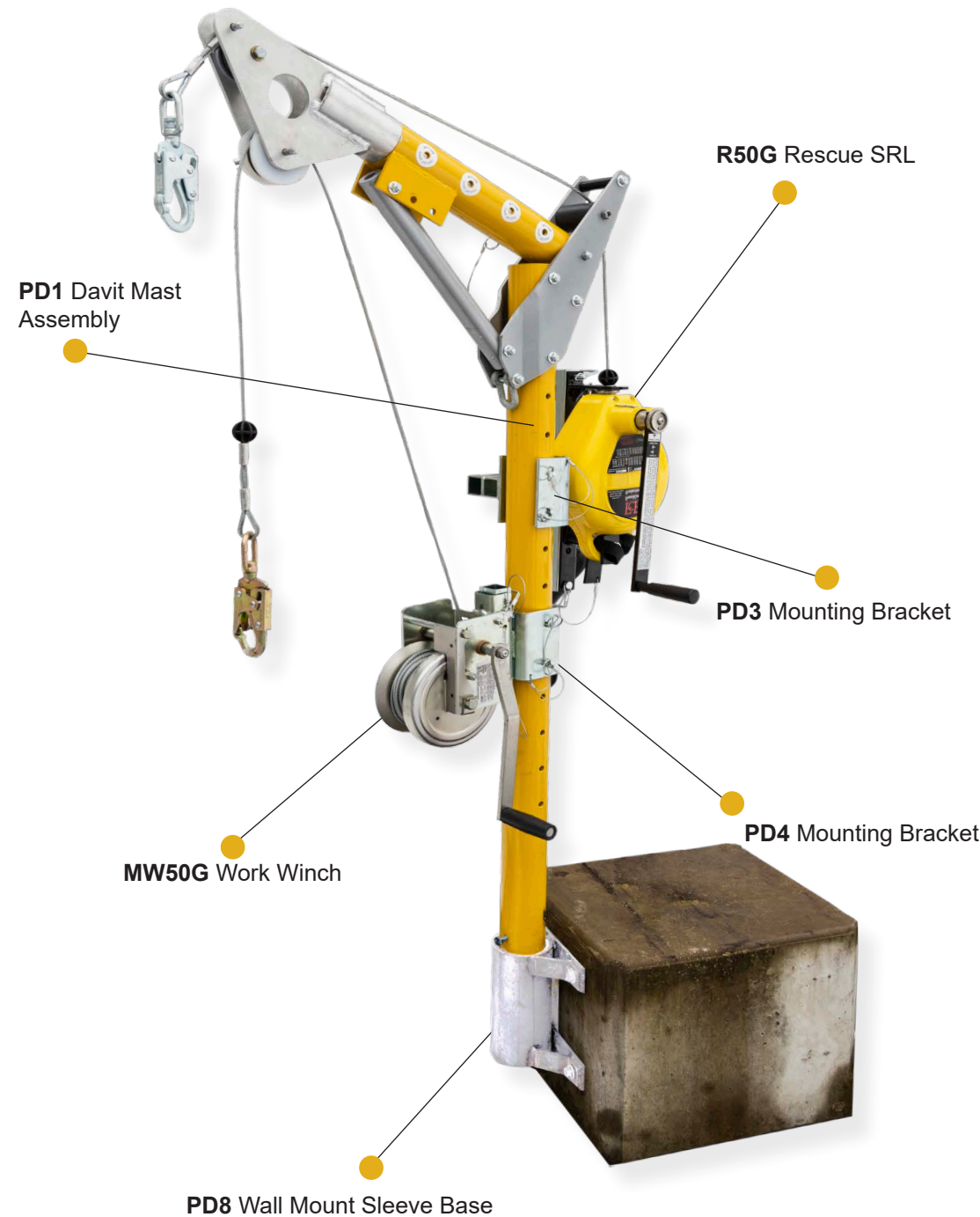
PD8- Wall Mount Sleeve

PD3- R50G Mounting Bracket

PD4- MW50G Mounting Bracket

R50G- Rescue SRL

MW50G- Work Winch



**Ordering Information**

**PD1 Davit Mast Assembly**  
12"-30" offset reach



**PD1**  
Davit mast assembly with telescoping adjustability from 12"-30". Includes attachment points for mechanical units. Used in conjunction with FrenchCreek Portable Davit system bases. Item weight 32.75 lbs.

**PD8 Wall Mount Sleeve Base**  
9" Deep Sleeve Insert



**PD8**  
Bolt on design for existing steel and concrete vertical installation. Allows for 360° rotation of PD1 Davit Mast Assembly. 9" tall sleeve with PVC insert. Item weight: 13 lbs.

**PD3 Mounting Bracket**  
Attaches R50G Rescue SRL



**PD3**  
Used to attach R50G Rescue SRL to PD1 Davit Mast Assembly. Attaches with locking pins. Material: plated alloy steel. Item weight: 7.2 lbs.

**PD4 Mounting Bracket**  
Attaches MW50G Work Winch



**PD4**  
Used to attach MW50G Work Winch to PD1 Davit Mast Assembly. Attaches with locking pins. Material: plated alloy steel. Item weight: 4.8 lbs.

**R50G Rescue SRL**  
ANSI Class SRL-R  
3-way unit, 50' length



**R50G**  
50' rescue SRL with raising/lowering capability. Mounts to PD1 Davit Mast Assembly using PD3 Mounting Bracket. Includes dual inertia braking system, pulleys & carabiner, load indicating snaphook. Three lifeline options: galvanized steel, stainless steel, technora rope. Aluminum cast housing. Item weight: 35 lbs.

**MW50G Work Winch**  
50' length



**MW50G**  
Offers raising and lowering capabilities with a friction brake that prevents the unit from free-wheeling when under a load. Mounts to PD1 Davit Mast Assembly using PD4 Mounting Bracket. Includes pulleys, carabiner and swivel snaphook. Three lifeline options: galvanized steel, stainless steel, technora rope. Aluminum cast housing. Item weight: 25 lbs.

**Barrel Mount Davit Base- 1/2" to 3-1/2" thick**

Designed for bolt on installation to existing edges, walls and other properly rated structures.

**Specs**

Weight Capacity- 130-310 lbs. ANSI

Capacity- 1 entrant only, 310 lb. max

Item weight- 136.75 lbs.

Hardware Material- Powder coated aluminum, plated alloy steel

Lifeline- Galvanized steel wire rope

Standards- OSHA 1926.502  
ANSI 1910.66

**Components**

**PD1-** Davit Mast Assembly

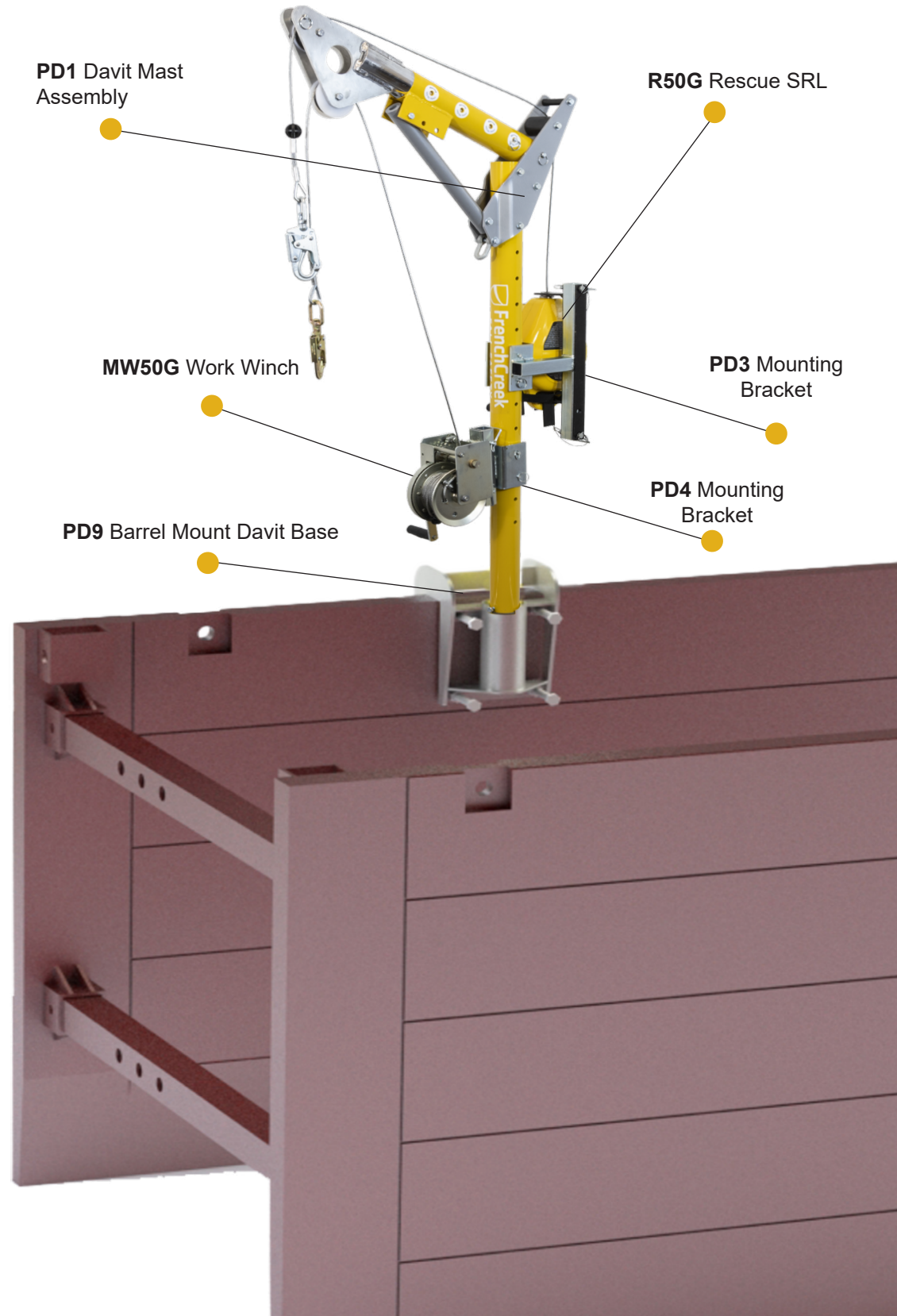
**PD9-** Barrel Mount Davit Base

**PD3-** R50G Mounting Bracket

**PD4-** MW50G Mounting Bracket

**R50G-** Rescue SRL

**MW50G-** Work Winch



**Ordering Information**

**PD1 Davit Mast Assembly**  
12"-30" offset reach



**PD1**  
Davit mast assembly with telescoping adjustability from 12"-30". Includes attachment points for mechanical units. Used in conjunction with FrenchCreek Portable Davit system bases. Item weight 32.75 lbs.

**PD9 Barrel Mount Davit Base**  
Attaches to properly rated structures 1/2" to 3-1/2" thick.



**PD9**  
Attaches to properly rated structures 1/2" to 3-1/2" thick. 4pcs. 3/4" x 5" hex head set screws for securing to structure. Zinc plated welded steel construction with PVC mast sleeve insert. 180° mast rotation. 9" tall sleeve PVC insert. Item weight 32 lbs.

**PD3 Mounting Bracket**  
Attaches R50G Rescue SRL



**PD3**  
Used to attach R50G Rescue SRL to PD1 Davit Mast Assembly. Attaches with locking pins. Material: plated alloy steel. Item weight: 7.2 lbs.

**PD4 Mounting Bracket**  
Attaches MW50G Work Winch



**PD4**  
Used to attach MW50G Work Winch to PD1 Davit Mast Assembly. Attaches with locking pins. Material: plated alloy steel. Item weight: 4.8 lbs.

**R50G Rescue SRL**  
ANSI Class SRL-R  
3-way unit, 50' length



**R50G**  
50' rescue SRL with raising/lowering capability. Mounts to PD1 Davit Mast Assembly using PD3 Mounting Bracket. Includes dual inertia braking system, pulleys & carabiner, load indicating snaphook. Three lifeline options: galvanized steel, stainless steel, technora rope. Aluminum cast housing. Item weight: 35 lbs.

**MW50G Work Winch**  
50' length



**MW50G**  
Offers raising and lowering capabilities with a friction brake that prevents the unit from free-wheeling when under a load. Mounts to PD1 Davit Mast Assembly using PD4 Mounting Bracket. Includes pulleys, carabiner and swivel snaphook. Three lifeline options: galvanized steel, stainless steel, technora rope. Aluminum cast housing. Item weight: 25 lbs.

**Hitch Mount System- For Class 3 Minimum Vehicle Trailer Hitch**

Designed to be used as a portable anchorage connector. Commonly used with rescue vehicles.

**Specs**

Weight Capacity- 130-310 lbs. ANSI

Capacity- 1 entrant only, 310 lb. max

Item weight- 158.75 lbs.

Hardware Material- Powder coated aluminum, plated alloy steel

Lifeline- Galvanized steel wire rope

Standards- OSHA 1926.502  
ANSI 1910.66

**Components**

PD1- Davit Mast Assembly

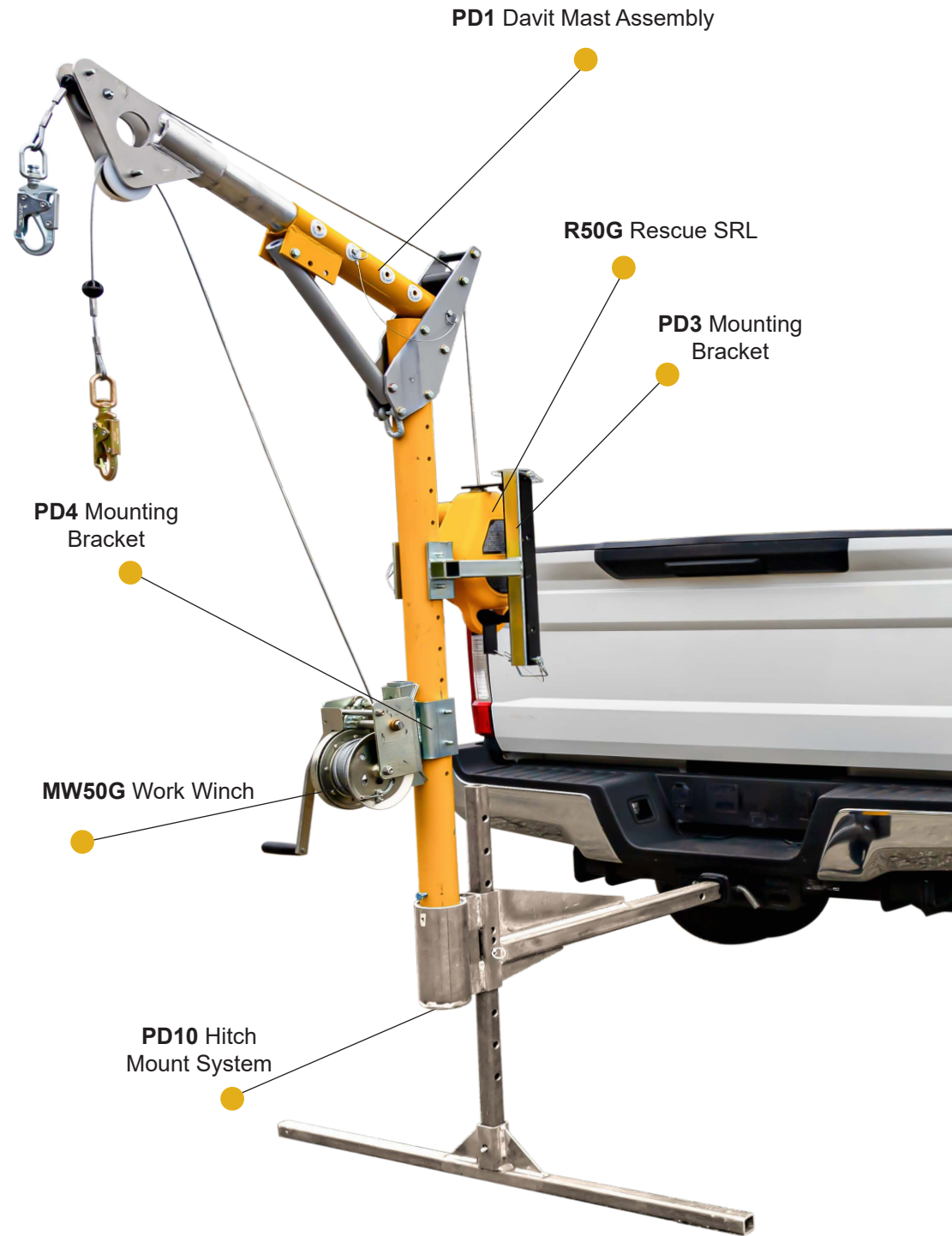
PD10- Hitch Mount System

PD3- R50G Mounting Bracket

PD4- MW50G Mounting Bracket

R50G- Rescue SRL

MW50G- Work Winch



**Ordering Information**

**PD1 Davit Mast Assembly**  
12"-30" offset reach



**PD1**  
Davit mast assembly with telescoping adjustability from 12"-30". Includes attachment points for mechanical units. Used in conjunction with FrenchCreek Portable Davit system bases. Item weight 32.75 lbs.

**PD10 Hitch Mount System**  
Installs into class 3 minimum vehicle trailer hitch.



**PD10**  
Installs into class 3 minimum vehicle trailer hitch, 2" square receiver. 6"-30" height adjustment range provided in 1" increments. 9" tall plated carbon sleeve with insert. Compatible with PD1 Davit Mast Assembly. Weight 54 lbs.

**PD3 Mounting Bracket**  
Attaches R50G Rescue SRL



**PD3**  
Used to attach R50G Rescue SRL to PD1 Davit Mast Assembly. Attaches with locking pins. Material: plated alloy steel. Item weight: 7.2 lbs.

**PD4 Mounting Bracket**  
Attaches MW50G Work Winch



**PD4**  
Used to attach MW50G Work Winch to PD1 Davit Mast Assembly. Attaches with locking pins. Material: plated alloy steel. Item weight: 4.8 lbs.

**R50G Rescue SRL**  
ANSI Class SRL-R  
3-way unit, 50' length



**R50G**  
50' rescue SRL with raising/lowering capability. Mounts to PD1 Davit Mast Assembly using PD3 Mounting Bracket. Includes dual inertia braking system, pulleys & carabiner, load indicating snaphook. Three lifeline options: galvanized steel, stainless steel, technora rope. Aluminum cast housing. Item weight: 35 lbs.

**MW50G Work Winch**  
50' length



**MW50G**  
Offers raising and lowering capabilities with a friction brake that prevents the unit from free-wheeling when under a load. Mounts to PD1 Davit Mast Assembly using PD4 Mounting Bracket. Includes pulleys, carabiner and swivel snaphook. Three lifeline options: galvanized steel, stainless steel, technora rope. Aluminum cast housing. Item weight: 25 lbs.

**Barrel Mount/Trench Box Davit Base- 3" to 24" thick**

Designed for bolt on installation to existing edges, walls and other properly rated structures.

**Specs**

Weight Capacity- 130-310 lbs. ANSI

Capacity- 1 entrant only, 310 lb. max

Item weight- 150 lbs.

Hardware Material- Powder coated aluminum, plated alloy steel

Lifeline- Galvanized steel wire rope

Standards- OSHA 1926.502  
ANSI 1910.66

**Components**

**PD1-** Davit Mast Assembly

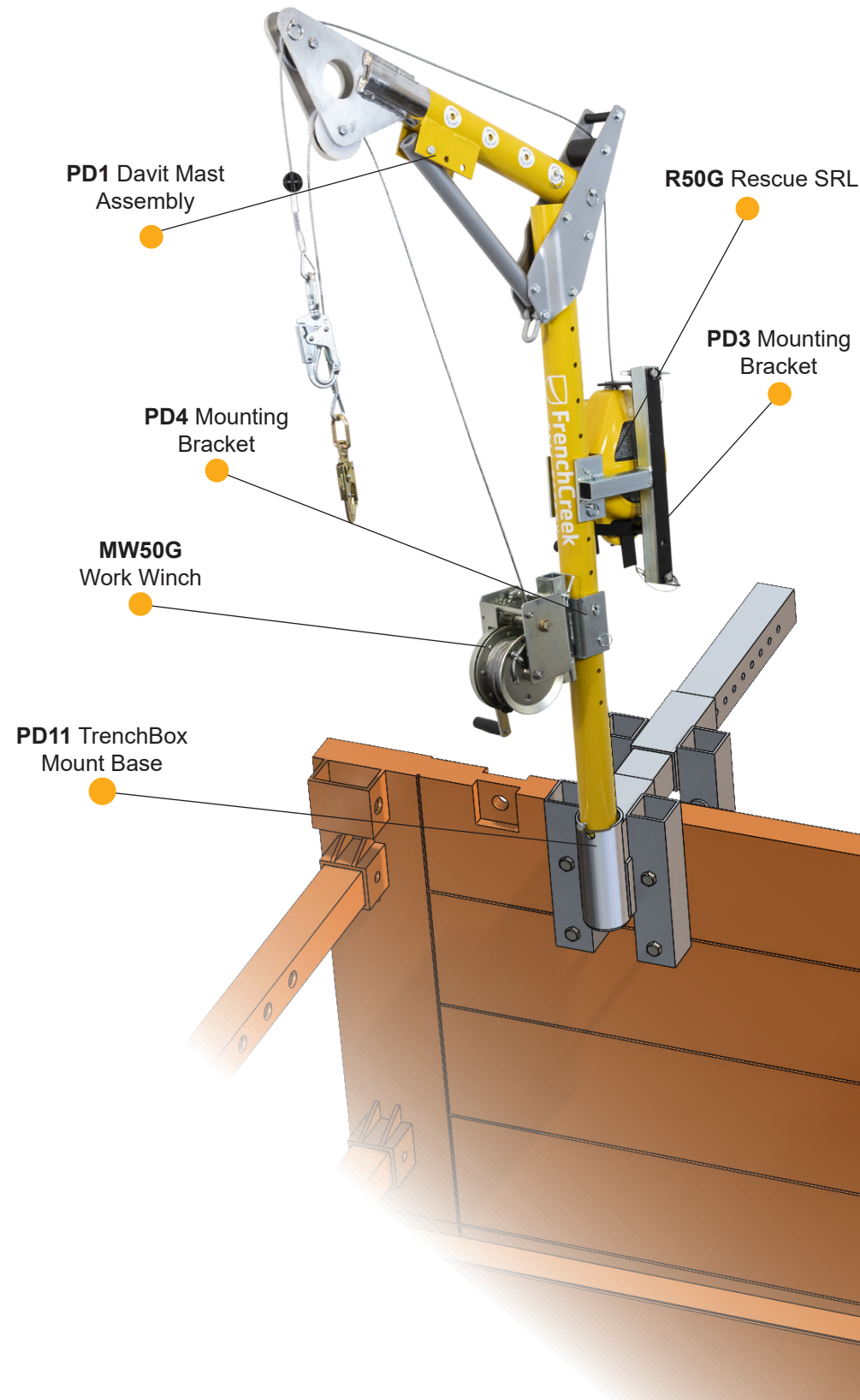
**PD11-** Barrel Mount Davit Base

**PD3-** R50G Mounting Bracket

**PD4-** MW50G Mounting Bracket

**R50G-** Rescue SRL

**MW50G-** Work Winch



**Ordering Information**

**PD1 Davit Mast Assembly**  
12"-30" offset reach



**PD1**  
Davit mast assembly with telescoping adjustability from 12"-30". Includes attachment points for mechanical units. Used in conjunction with FrenchCreek Portable Davit system bases. Item weight 32.75 lbs.

**PD11 Barrel Mount Davit Base**  
Attaches to properly rated structures 3" to 24" thick.



**PD11**  
Attaches to properly rated structures 3" to 24" thick. 8pcs. 3/4" x 6" hex head set screws for securing to structure. Zinc plated welded steel construction with PVC mast sleeve insert. 180° mast rotation. 9" tall sleeve PVC insert. Item weight 48 lbs.

**PD3 Mounting Bracket**  
Attaches R50G Rescue SRL



**PD3**  
Used to attach R50G Rescue SRL to PD1 Davit Mast Assembly. Attaches with locking pins. Material: plated alloy steel. Item weight: 7.2 lbs.

**PD4 Mounting Bracket**  
Attaches MW50G Work Winch



**PD4**  
Used to attach MW50G Work Winch to PD1 Davit Mast Assembly. Attaches with locking pins. Material: plated alloy steel. Item weight: 4.8 lbs.

**R50G Rescue SRL**  
ANSI Class SRL-R  
3-way unit, 50' length



**R50G**  
50' rescue SRL with raising/lowering capability. Mounts to PD1 Davit Mast Assembly using PD3 Mounting Bracket. Includes dual inertia braking system, pulleys & carabiner, load indicating snaphook. Three lifeline options: galvanized steel, stainless steel, technora rope. Aluminum cast housing. Item weight: 35 lbs.

**MW50G Work Winch**  
50' length



**MW50G**  
Offers raising and lowering capabilities with a friction brake that prevents the unit from free-wheeling when under a load. Mounts to PD1 Davit Mast Assembly using PD4 Mounting Bracket. Includes pulleys, carabiner and swivel snaphook. Three lifeline options: galvanized steel, stainless steel, technora rope. Aluminum cast housing. Item weight: 25 lbs.



**fcsafety.com**

©2022 FrenchCreek Production Inc.  
100 N. 13th St.  
Franklin, PA 16323

***Please call to locate your nearest distributor***  
**877.228.9327**  
**814.437.1808**

Tools shown not included.

Product descriptions and specifications  
herein may change without notice.

PDS-LIT2

